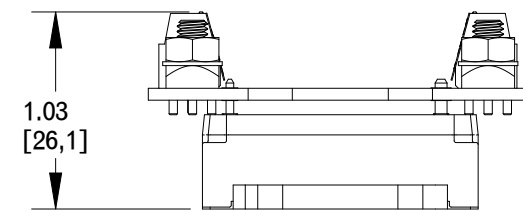
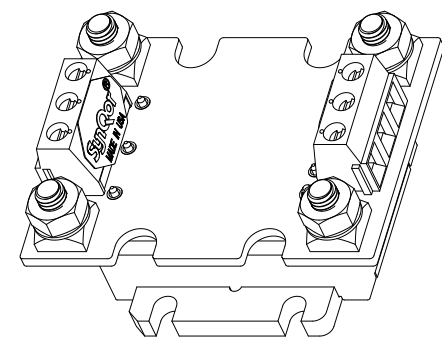
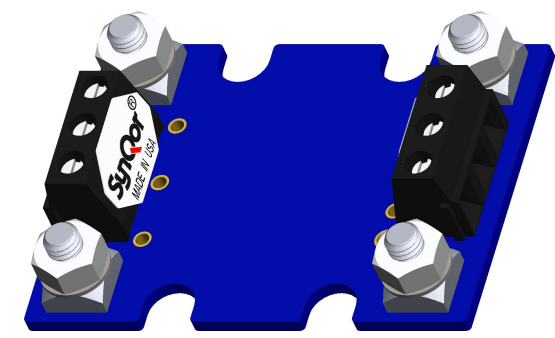
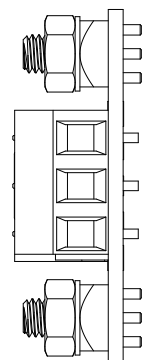
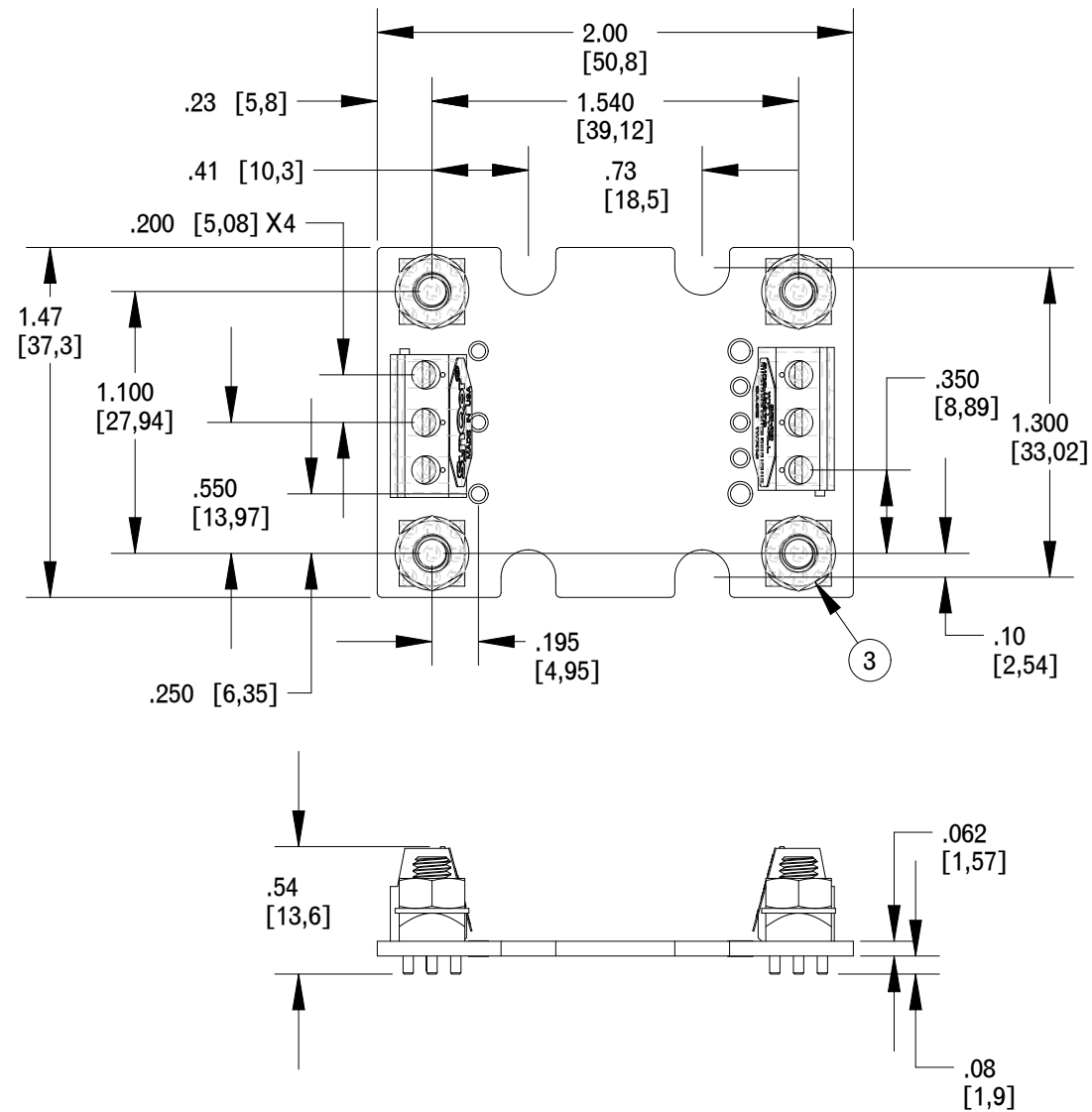


REVISIONS			
REV	DESCRIPTION	DATE	APPROVED
A	INCREASED TERMINAL SPACING AND RELEASE TO PRODUCTION PER ECO 13-16716	062413	L. PITZELE
B	ADDED WEIGHT & UPDATED DESCRIPTION PER ECO 13-17318	103113	L. PITZELE
C	ADDED SBI-04 PER ECO 17-22486	5/24/17	DS
D	ADDED NOTE 7: "ROHS COMPLIANT" PER ECO 19-26063	12/13/19	B. KELLY

A

A



SCALE 1.000

B

B

C

C

NOTES:

1. CONSULT DATASHEET OF THE UNIT THAT THE INTERFACE BOARD IS / WILL BE MOUNTED TO FOR I/O DEFINITIONS, MOUNTING DIMENSIONS AND OPERATING PARAMETERS.
2. ALL DIMENSIONS IN INCHES (MM)
TOLERANCES: X.XX ± .02 IN. (X.X ± .5mm)
X.XXX ± .010 IN. (X.XX ± .25mm)
3. Vin/Vout M4 SCREW POST, MAX TORQUE 6 IN-LB (.7 Nm).
4. TERMINAL BLOCKS: WIRE SIZE 16-30 AWG, 13.5A MAX CURRENT PER TERMINAL, MAX TORQUE 4 IN-LB (.5 Nm)
5. FITS BOTH NORMAL AND FLANGED SIXTEENTH BRICKS
6. ADAPTOR WEIGHT: 0.95 oz (27 G) TYP.
7. ROHS COMPLIANT

D

D

<p>TOLERANCES: Unless otherwise specified: All dimensions in inches .X +/- .025 .XX +/- .010 .XXX +/- .005 Angles +/- 1°</p>	<p>SynQor 155 Swanson Road Boxborough, MA 01719-1316</p>	
	<p>SBI-00/04 INTERFACE ASSEMBLY THROUGH HOLE MOUNTING</p>	
<p>SOURCE: PRO/E 020-0000261</p>		
<p>THIS DRAWING IS THE PROPERTY OF SYNQOR LLC. It is not to be reproduced or copied, in whole or in part, or used for furnishing information to others, or for any purpose detrimental to the interests of SynQor. The information shown herein may be protected by patents owned or controlled by SynQor.</p>	<p>SIZE: B</p>	<p>DATE: 12/13/19</p>
<p>SCALE: 1.250</p>	<p>DRAWN: BTK</p>	<p>CHECK: D</p>
<p>DWG. NO.: 020-0000261</p>	<p>REV: D</p>	<p>SHEET 1 of 1</p>